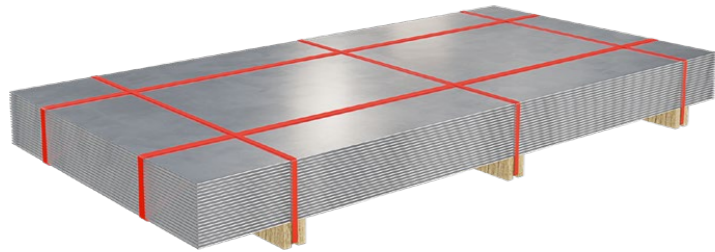


Packaging catalogue
**Steel Service
Centre**

STEEL SERVICE CENTRE



Sheets and forms - packages on joists

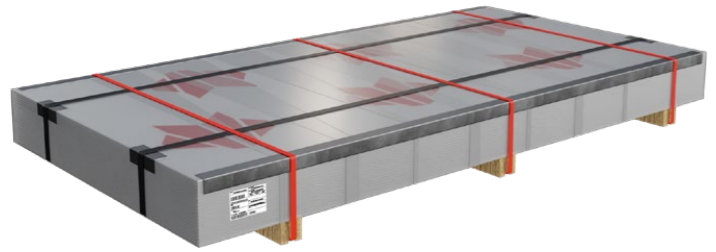


Code:	1A1BA
Description:	Bundle of sheets on joists tied together with transverse and longitudinal straps.



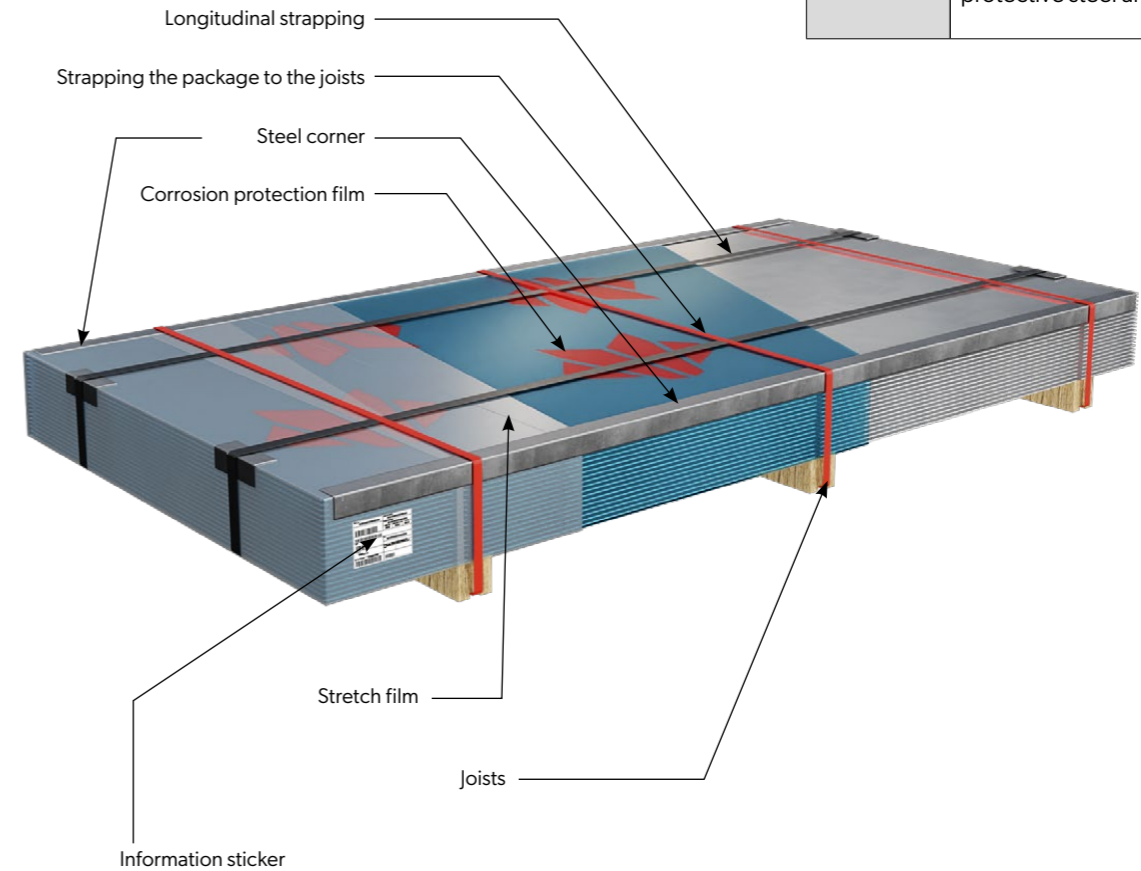
Code:	1B1BA
Description:	Bundle of sheets on joists tied together with transverse and longitudinal straps with protective steel angles.






STANDARD PACKAGING



Code:	1D1BA
Description:	Bundle of sheets on joists protected by stretch film. Fastened with transverse and longitudinal straps, with protective steel angles.

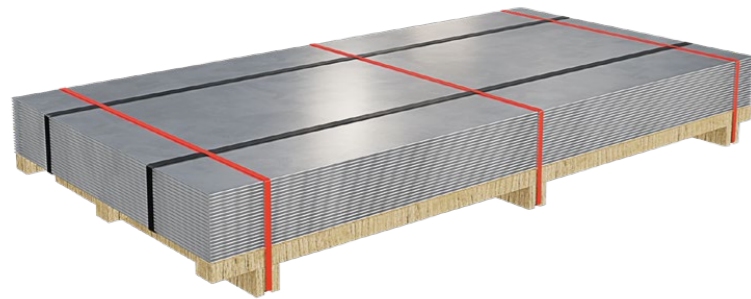
Code:	1F1BA
Description:	Package of sheets on joists protected with stretch film and anti-corrosion film. Fastened with transverse and longitudinal straps, with protective steel angles.



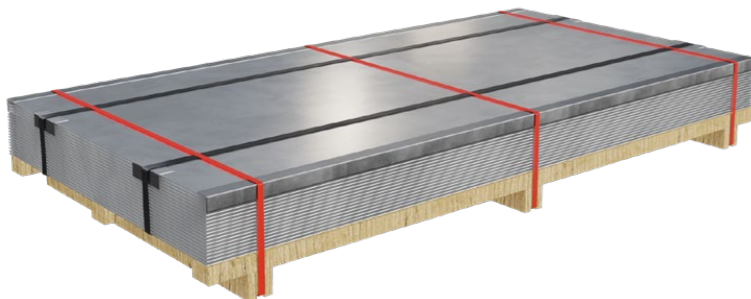
Recipient: XXXXXXXXXXXXXX	Delivery address: XXXXXXXXXXXXXX					
 Adres dostawcy: XXXXXXXXXXXXXX	Adres dostawcy: XXXXXXXXXXXXXX					
	<table border="1"> <tr> <th>QUANTITY (KG)</th> <th>GROSS WEIGHT (KG)</th> <th>NUMBER</th> </tr> <tr> <td>XXX</td> <td>XXX</td> <td>XXX</td> </tr> </table>	QUANTITY (KG)	GROSS WEIGHT (KG)	NUMBER	XXX	XXX
QUANTITY (KG)	GROSS WEIGHT (KG)	NUMBER				
XXX	XXX	XXX				
 QUANTITY 	Description XXXXXXXXXXXXXX					
Supplier: VSS s.r.o.	Product specifications: XXXXXXXXXXXXXXXXXXXXXXXX XXXXXXXXXXXXXXXXXXXXXXXX Date:					
Identification No.: 123456789 						

PACKAGING CODE

Sheets and forms - packs on pallet

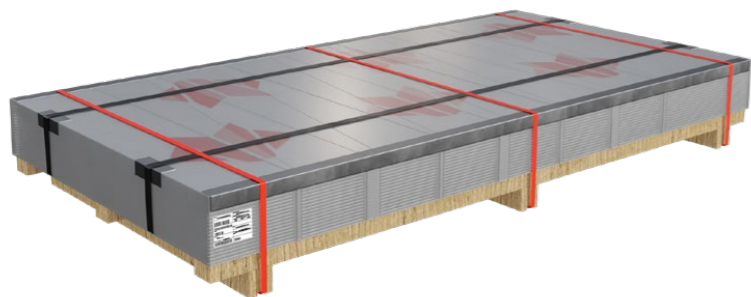


Code:	1A1DA
Description:	Bundle of sheets on a pallet bound together with transverse and longitudinal straps.



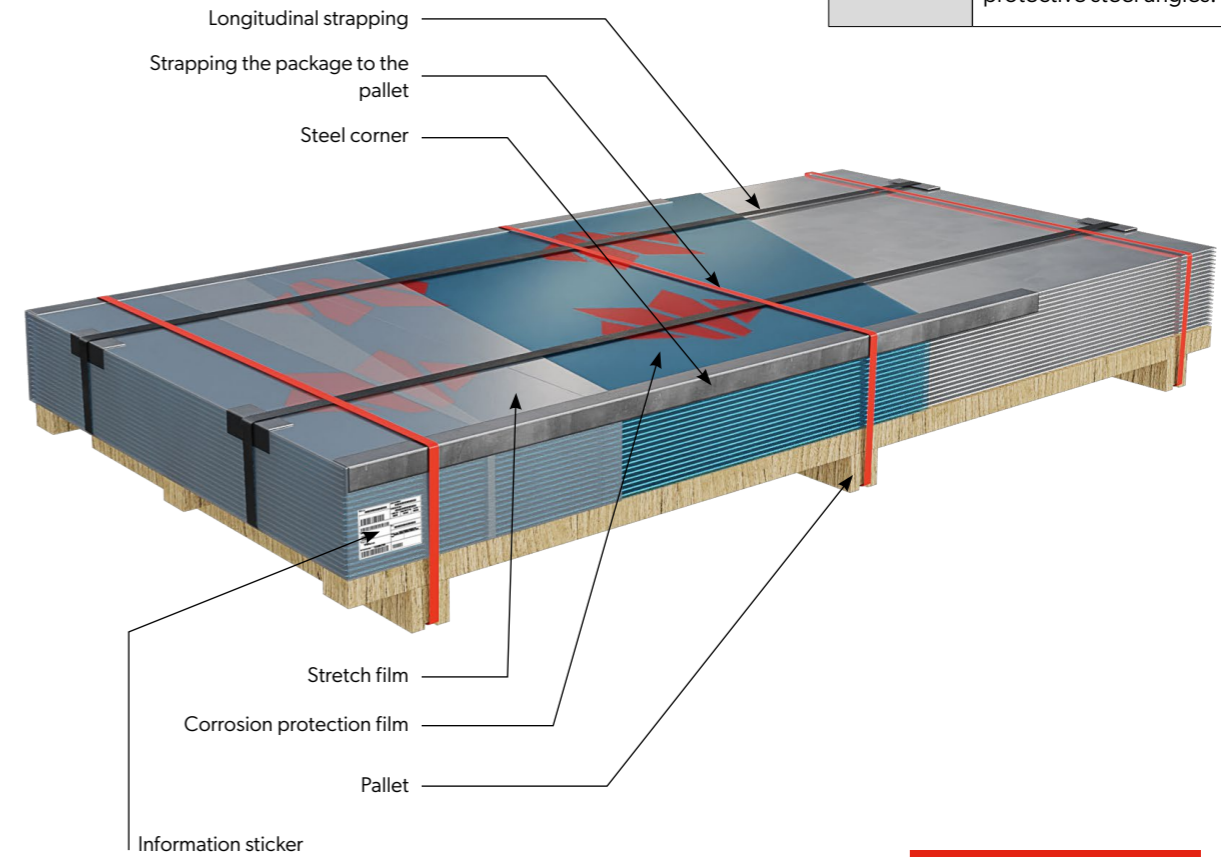
Code:	1B1DA
Description:	Bundle of sheets on a pallet bound together with transverse and longitudinal strips, with protective steel angles.

STANDARD PACKAGING



Code:	1D1DA
Description:	Bundle of sheets on a pallet protected by stretch film. Fastened with transverse and longitudinal straps, with protective steel angles.

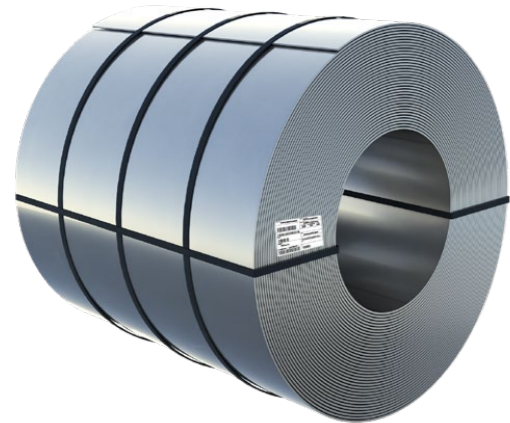
Code:	1F1DA
Description:	Bundle of sheets on a pallet protected by stretch film and anti-corrosion film. Fastened with transverse and longitudinal straps, with protective steel angles.



Recipient: XXXXXXXXXXXXXX	Delivery address: XXXXXXXXXXXXXX					
	Adres dostawcy: XXXXXXXXXXXXXX					
	<table border="1"> <tr> <th>QUANTITY (KG)</th> <th>GROSS WEIGHT (KG)</th> <th>NUMBER</th> </tr> <tr> <td>XXX</td> <td>XXX</td> <td>XXX</td> </tr> </table>	QUANTITY (KG)	GROSS WEIGHT (KG)	NUMBER	XXX	XXX
QUANTITY (KG)	GROSS WEIGHT (KG)	NUMBER				
XXX	XXX	XXX				
QUANTITY 	Description XXXXXXXXXXXXXX					
Supplier: VSS s.r.o.	Product specifications: XXXXXXXXXXXXXXXXXXXXXXXXXXXX Date:					
Identification No.: 123456789 						

PACKAGING CODE

Horizontal strips



Code:	2A1IA
Description:	Strap arranged in a horizontal axis and fastened with straps around the circumference and radially.*



Code:	2A1JA
Description:	Strap placed horizontally on a pallet and fastened with straps around the circumference and radially.*

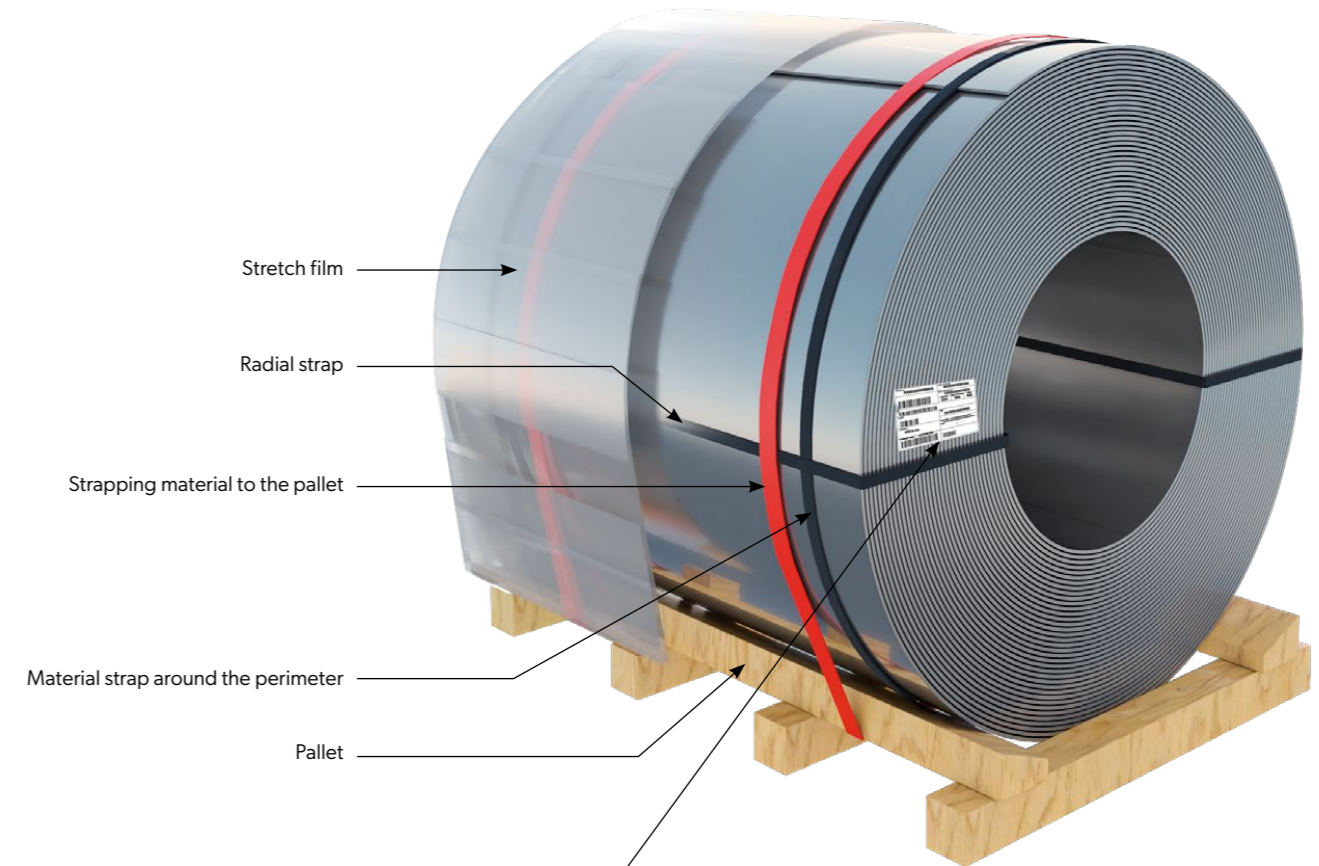
STANDARD PACKAGING



Code:	2I1JA
Description:	Strap placed horizontally on a pallet and fastened with straps around the circumference and radially.* Protected by stretch film.






* with an external diameter ≤ 850 mm, we use one radial fastening strap with an outer diameter > 850 mm, we use two radial straps.



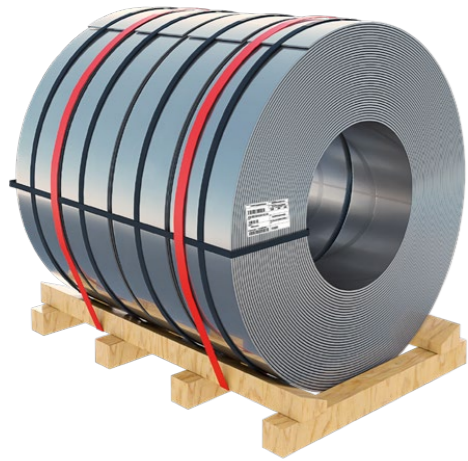
- Stretch film
- Radial strap
- Strapping material to the pallet
- Material strap around the perimeter
- Pallet

Information sticker

Recipient: XXXXXXXXXXXXXX	Delivery address: XXXXXXXXXXXXXX
 QUANTITY XXX	Adres dostawcy: XXXXXXXXXXXXXX
	QUANTITY (KG) GROSS WEIGHT (KG) NUMBER XXX XXX XXX
 Description XXXXXXXXXXXXXX	Product specifications: XXXXXXXXXXXXXXXXXXXXXXXX XXXXXXXXXXXXXXXXXXXXXXXXXXXXXXXXXXXXXXXXXXXX
Supplier: VSS s.r.o.	Date:
Identification No.: 123456789	

PACKAGING CODE

Horizontal strips



Code:	3A1JA
Description:	Straps arranged horizontally on a pallet and fastened with straps around the circumference and radially.

STANDARD PACKAGING



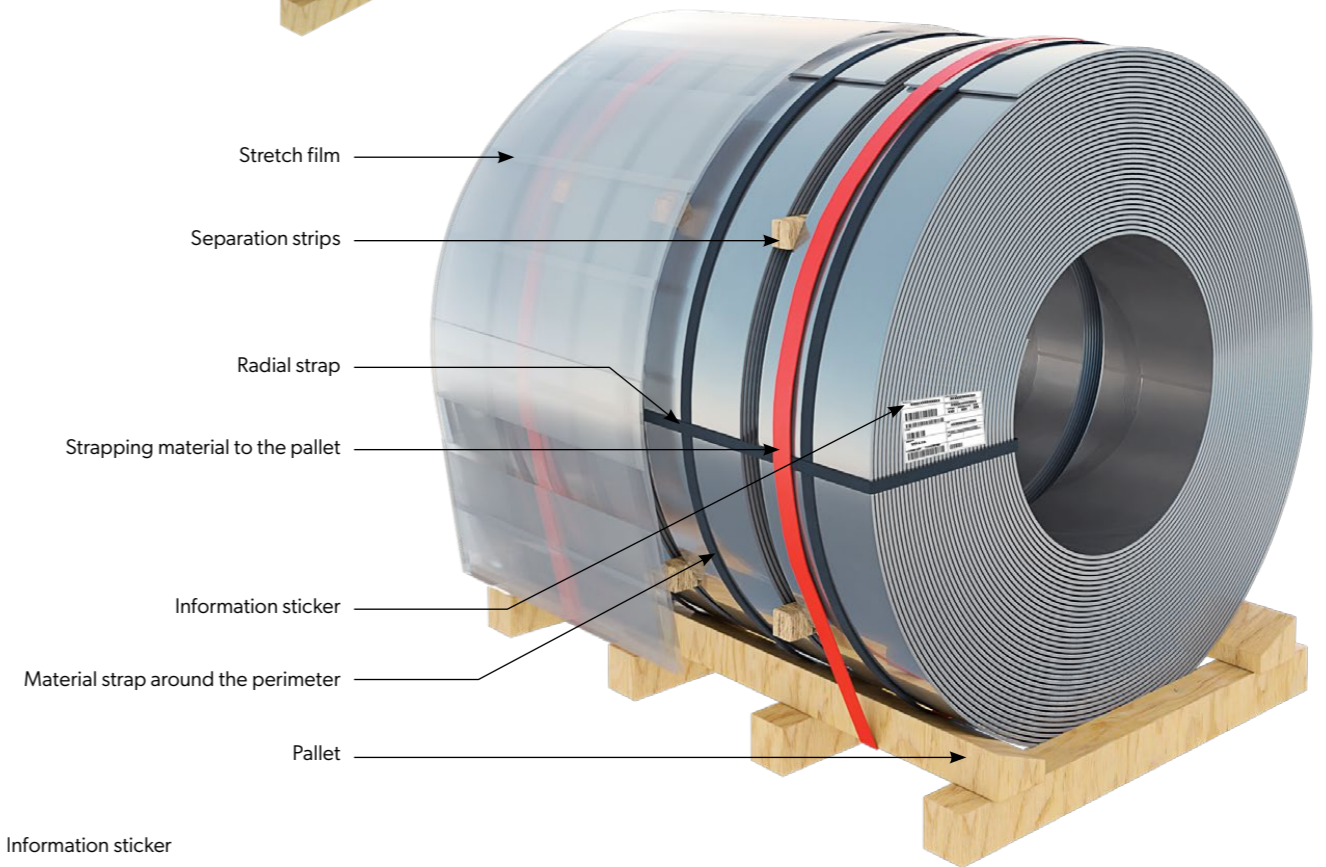
Code:	3I1JA
Description:	Straps arranged horizontally on a pallet and fastened with straps around the circumference and radially. Protected by stretch film.






Code:	3A1JI
Description:	Strap laid horizontally on a pallet with straps around the circumference and radially. Separated by separation strips.



Code:	3I1JI
Description:	Strap laid horizontally on a pallet with straps around the circumference and radially. Separated by separation strips. Protected by stretch film.



Information sticker

Recipient: XXXXXXXXXXXXXX	Delivery address: XXXXXXXXXXXXXX
 QUANTITY (KG) GROSS WEIGHT (KG) NUMBER XXX XXX XXX	Adres dostawcy: XXXXXXXXXXXXXX
	Description XXXXXXXXXXXXXX
Supplier: VSS s.r.o.	Product specifications: XXXXXXXXXXXXXXXXXXXXXXXXXXXX XXXXXXXXXXXXXXXXXXXXXXXXXXXXXXXXXXXXXXXXXXXXXXXXXXXX Date:
Identification No.: 123456789 	

PACKAGING CODE

Vertical strips on joists



Code:	3A1KA
Description:	Strap in vertical orientation on the joists tied with strap around the perimeter and radial straps.

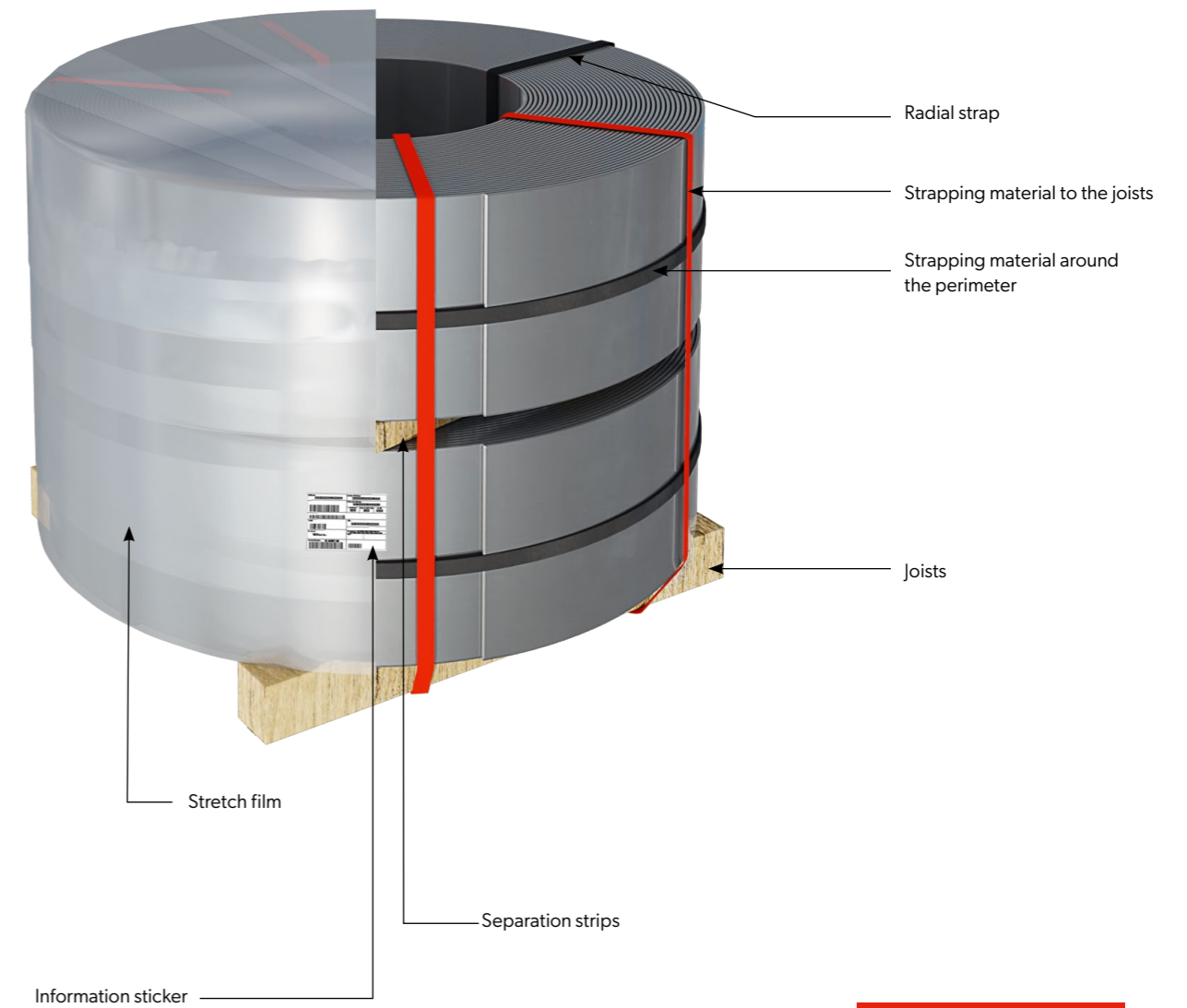





Code:	3A1KI
Description:	Vertical orientation strips on joists strapped at the perimeter and radial strips separated by separation strips.

STANDARD PACKAGING



Code:	3I1KI
Description:	Vertical orientation strips on joists strapped at the perimeter and radial strips separated by separation strips. Protected by stretch film.



Recipient: XXXXXXXXXXXXXX	Delivery address: XXXXXXXXXXXXXX
 Adres dostawcy: XXXXXXXXXXXXXX	QUANTITY (KG) GROSS WEIGHT (KG) NUMBER XXX XXX XXX
	Description XXXXXXXXXXXXXX
Supplier: VSS s.r.o.	Product specifications: XXXXXXXXXXXXXXXXXXXXXXXX XXXXXXXXXXXXXXXXXXXXXXXXXXXXXXXXXXXXXXXX Date:
Identification No.: 123456789 	

PACKAGING CODE

Packing codes - key

X₁ X₂ X₃ X₄ X₅

4.1.1 X1 - Product type

- 1 - Bundle of sheets
- 2 - Strap packed individually
- 3 - Strap packed as a set
- 0 - Special packaging - as agreed by the customer

4.1.2 X2 - Packing method

- 1XXXX - For sheets
- A - unpacked, strapped with binding strap
 - B - secured with steel angles, strapped with binding strap
 - C - secured with strong LLDPE film, binding strap
 - D - protected with LLDPE heavy duty film with steel angles, bound with binding strap
 - E - protected with LLDPE heavy duty film with VpCl inhibitor, bound with binding strap
 - F - protected with LLDPE heavy duty film with VpCl inhibitor, bound with steel angles, bound with binding strap
 - G - wrapped in white foil bound with binding tape, with protective corners
 - W - zwrapped in white foil tied with binding tape
 - S - Protective board placed on top and wrapped in foil bound with binding tape, with protective corners
 - Z - special design - packaging according to customer agreement

2XXXX - For coils or straps

- A - unwrapped, strapped with binding strap
- I - protected with strong LLDPE film, strapped with binding strap
- K - protected with strong LLDPE film with VpCl inhibitor strapped with binding strap
- Z - special packing - according to customer's agreement

4.1.3 X3 - Binding strap type

- 1 - sealed with coated steel binding strap
- 2 - sealed with PET strap
- 0 - as agreed with the customer

4.1.4 X4 - Method of storage

- 1XXXX - For sheets
- A - laid loosely on wooden beams, the arrangement of the beams depends on the length of the sheets and the method of unloading)
 - B - laid and stacked on wooden beams, the arrangement of the beams depends on the length of the sheets and the method of unloading
 - C - stacked on wooden cross and longitudinal beams, the arrangement of the beams depending on the length of the sheets and the method of unloading,
 - D - placed on a standard pallet
 - Z - special packaging, placed on a pallet with dimensions agreed with the customer
- 2XXXX - for coils and strips
- I - non-palletised packing - mogul packing)
 - J - eye to side packing on pallet
 - K - eye to sky on beams with straps
 - L - eye to sky packaging on pallets
 - Z - special wrapping - according to customer's requirements

4.1.5 X5 - Design type

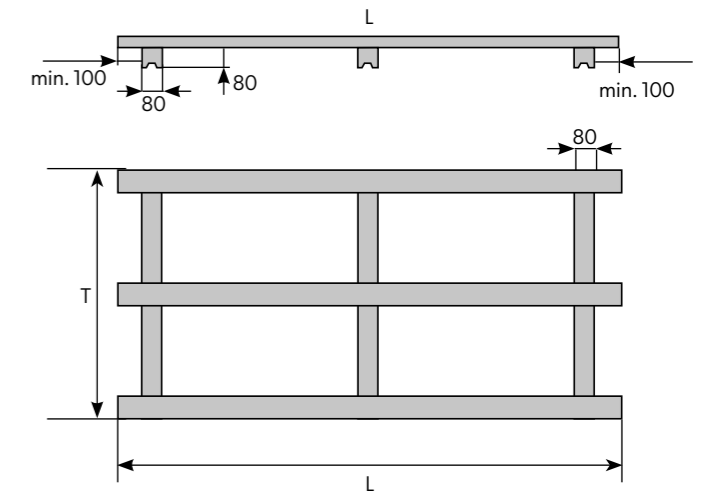
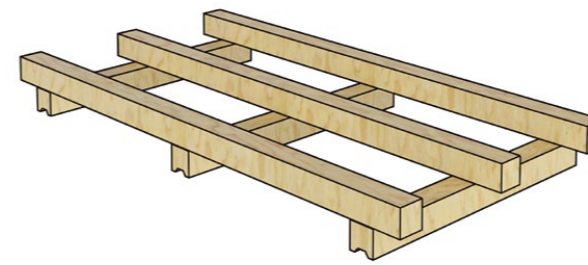
- 1XXXX - For sheets
- A - without specification of type of construction for forklift unloading
 - Z - special arrangement - type of construction as agreed with the customer

2XXXX - For coils or straps

- A - without specification of type of construction
- I - single coils or strap coils separated by dividers
- Z - special arrangement - type of construction as agreed with the customer

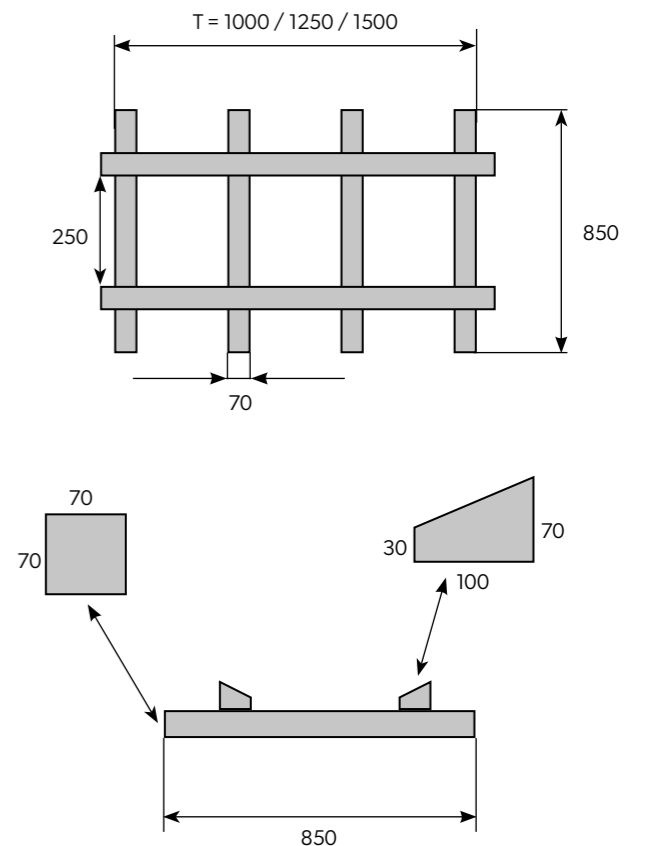
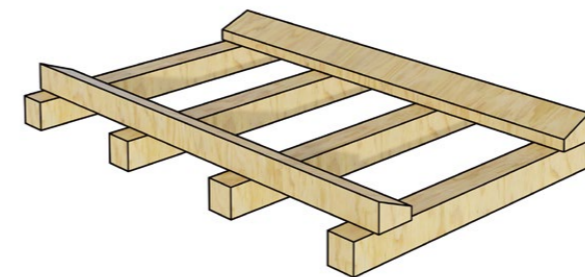
Pallets

PALLETS FOR SHEETS

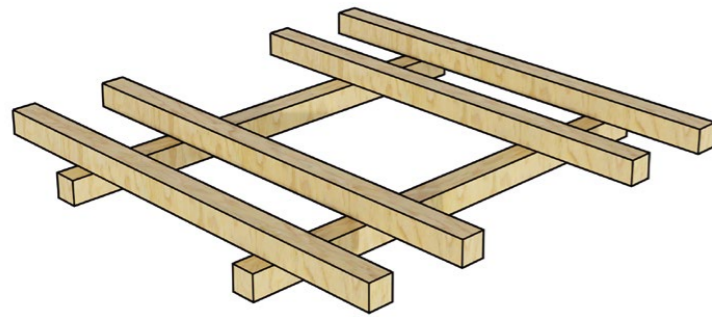


Pallet dimensions (ranges):
 T = 400 ÷ 1620 mm (for format widths 200 ÷ 1650 mm)
 L = 400 ÷ 2970 mm (for format lengths 220 ÷ 3000 mm) - single packet
 L = 400 ÷ 5970 mm (for format lengths 220 ÷ 6000 mm) - double packet

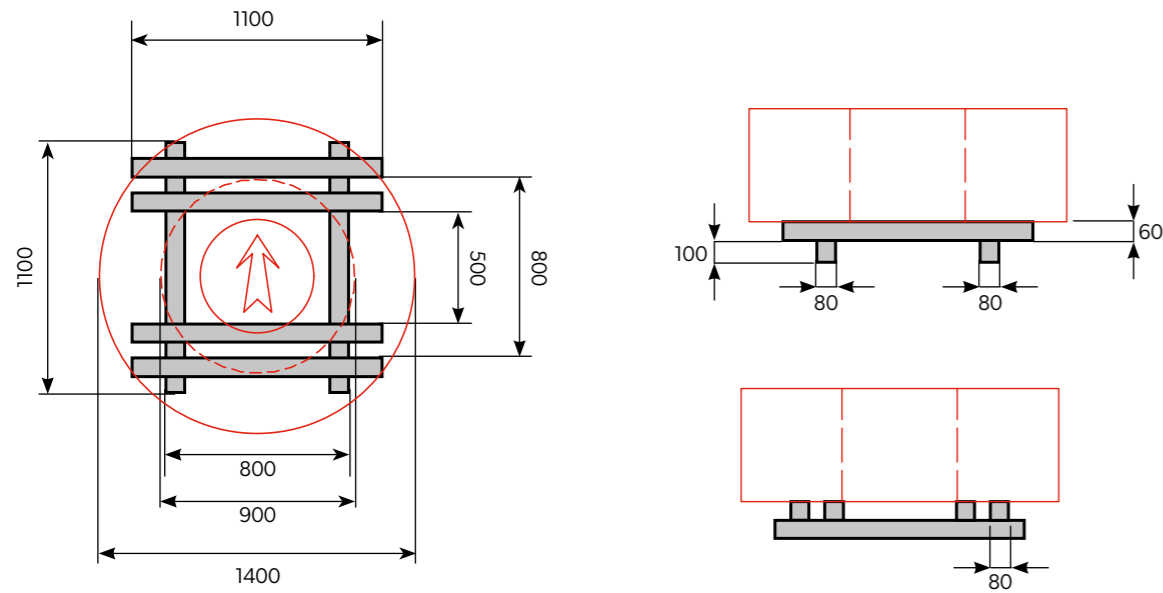
PALLET FOR COILS



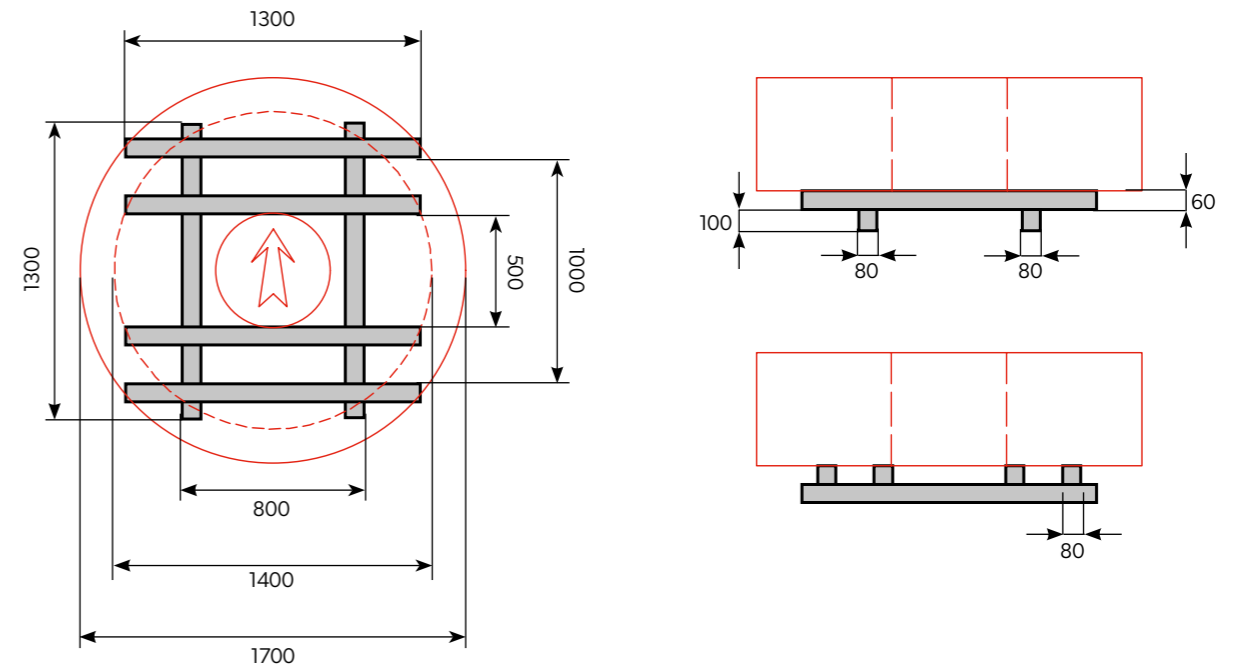
PALLETS FOR STRAPS



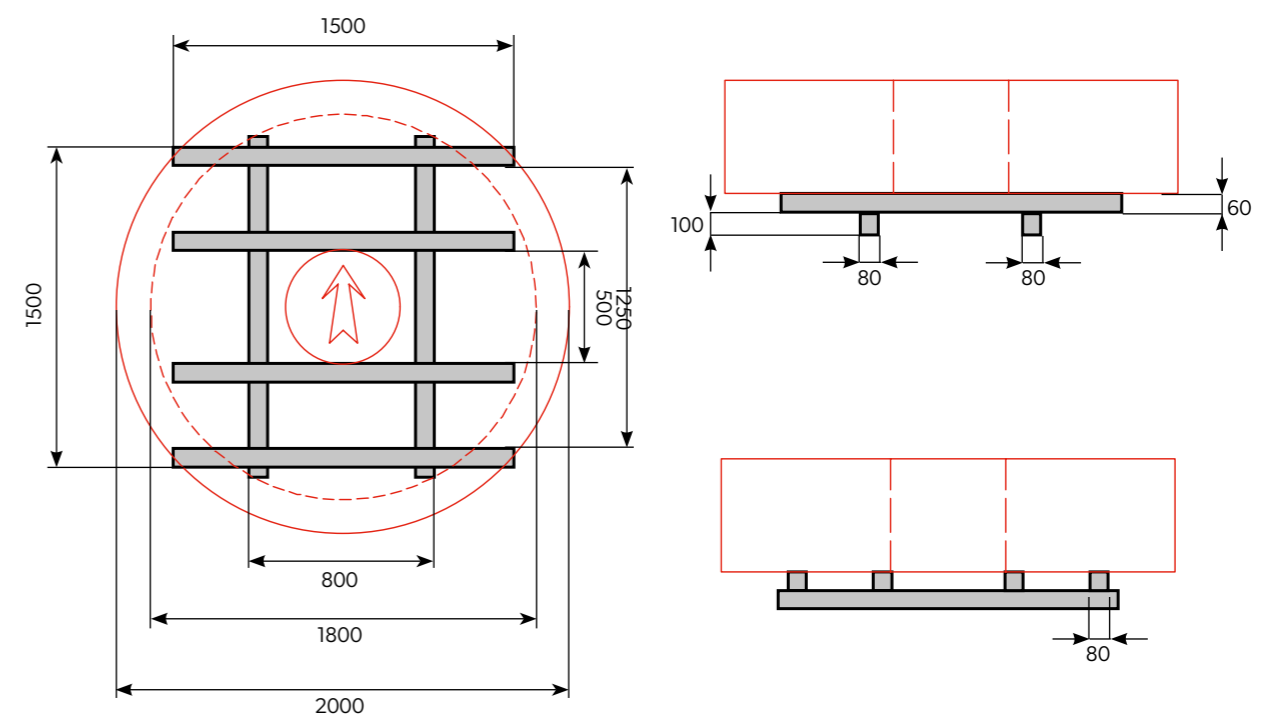
Pallets for straps with a slot diameter of 900 mm to 1400 mm.



Pallets for straps with a slot diameter of 1400 mm to 1700 mm.



Pallets for straps with a slot diameter of 1700 mm to 2000 mm.



VCI film with LDPE inhibitor

Flat sheets can be protected with VCI film with LDPE inhibitor. This is an anti-corrosion film dedicated to protecting materials exposed to corrosion or moisture during transport and storage. The film's durability is:

- antistatic properties: 9 months
- VCI inhibitor: 12 months provided that storage conditions are observed.

Contact us



VSS s.r.o.
Kmetova 26,
040 01 Kosice

www.vss.sk

Security films (coated sheets)

In order to protect the sheet metal on request, it is coated with a protective film. As a standard, we use a film of an individually selected composition as a result of tests for the respective sheet metal coating; the type and thickness of the adhesive layer and the film were determined in such a way as to ensure adequate adhesion and not to damage the coating during removal. We offer films with various parameters which can be individually selected, taking into account:



Adhesives

- acrylic, water - ecological, water washable,
- acrylic, solvent - not soluble in water, used for matt coatings
- rubber, solvent - not soluble in water, used for polyester coatings.



Light transmission

- opaque and transparent films.



UV resistance

- from 1 to 12 months.



Condensation of water vapour

- anti-condensation coating.

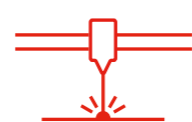


Film thickness

- 35-100µm.

Foil type

- MAT/GLOSS.



Application

- universal films, dedicated to the type of coating and special applications, such as laser cutting (Fiber).



All numerical values and physicochemical characteristics of the products given in the catalogue are indicative and illustrative. The company does not assume any responsibility for any errors or mistakes in editing and printing as well as reserves the right to make changes to product specifications.



This catalogue is an invitation to make an offer as understood by article 14 point 2 of the United Nations Convention on Contracts for the International Sale of Goods. Copyright © 2024 BP2. All rights reserved.



Modular roofing tiles
MODULAR SERIES



Compact roofing tiles
COMPACT SERIES



Steel roofing tiles
CLASSIC SERIES



Retro roof tiles
RETRO SERIES



Roof panels
PANEL SERIES



INTEGRATED
PV PANELS



Steel roof gutter system
INGURI



TRAPEZOIDAL
SHEETS



STRUCTURAL
PROFILES



FLAT METAL
SHEETS



FLASHINGS



ACCESORIES



Roof Sandwich
PANELS



Wall Sandwich
PANELS



Facade cladding
SKRIN, LINEA



Uncoiling and slitting
SERVICES



Flat sheets and cutting
SERVICES



PERFORATION
of sheets

