

Packaging catalogue  
**Steel Service  
Centre**

**STEEL SERVICE CENTRE**



# Sheets and forms - package without underlay

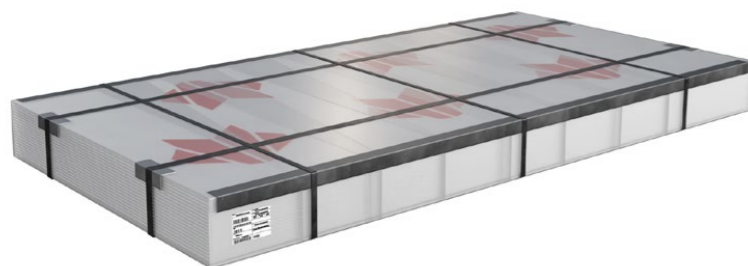


Code:	<b>1A1AA</b>
Description:	Bundle of sheets bound together with cross and longitudinal banding bands.



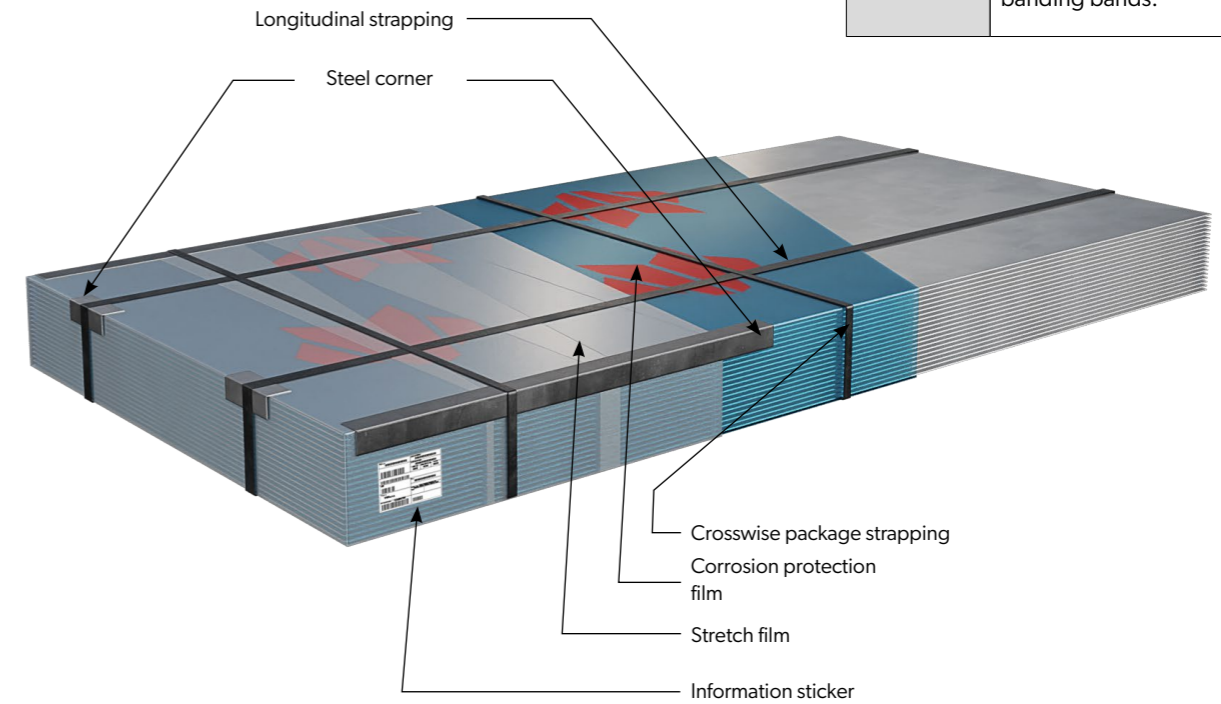
Code:	<b>1B1AA</b>
Description:	A packet of sheets with protective steel angles bound together with transverse and longitudinal strapping.

STANDARD PACKAGING






Code:	<b>1D1AA</b>
Description:	Bundle of sheets protected by stretch film with protective steel angles. Fastened with transverse and longitudinal banding bands.

Code:	<b>1F1AA</b>
Description:	Pack of sheets protected by stretch film and anti-corrosion film with protective steel angles. Fastened with transverse and longitudinal banding bands.

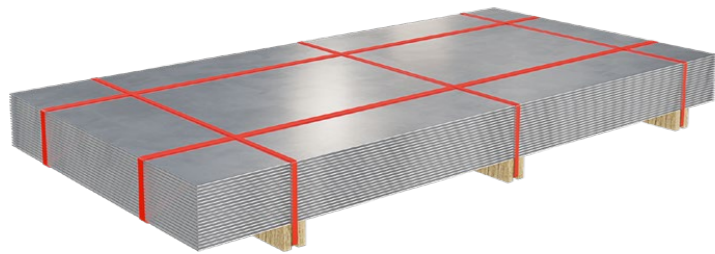


Information sticker

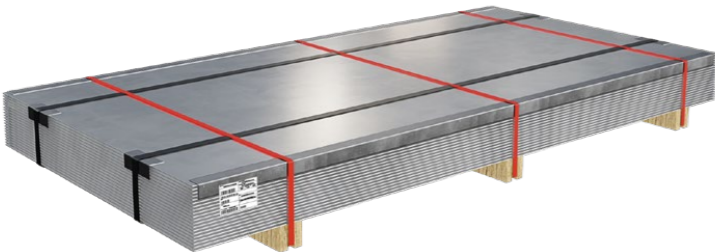
Recipient: <b>XXXXXXXXXXXXXX</b>	Delivery address: <b>XXXXXXXXXXXXXX</b>
 Adres dostawcy: <b>XXXXXXXXXXXXXX</b>	QUANTITY (KG)   GROSS WEIGHT (KG)   NUMBER <b>XXX</b>   <b>XXX</b>   <b>XXX</b>
	Description <b>XXXXXXXXXXXXXX</b>
Supplier: <b>VSS s.r.o.</b>	Product specifications: XXXXXXXXXXXXXXXXXXXXXXXX Date:
Identification No.: <b>123456789</b> 	

**PACKAGING CODE**

# Sheets and forms - packages on joists

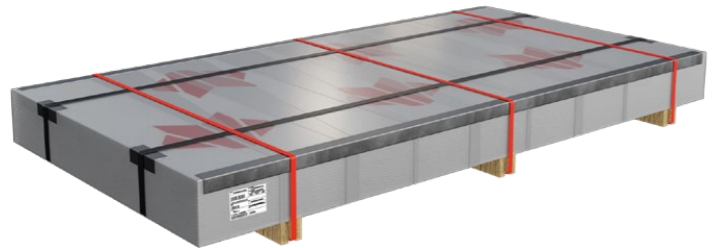


Code:	<b>1A1BA</b>
Description:	Bundle of sheets on joists tied together with transverse and longitudinal straps.



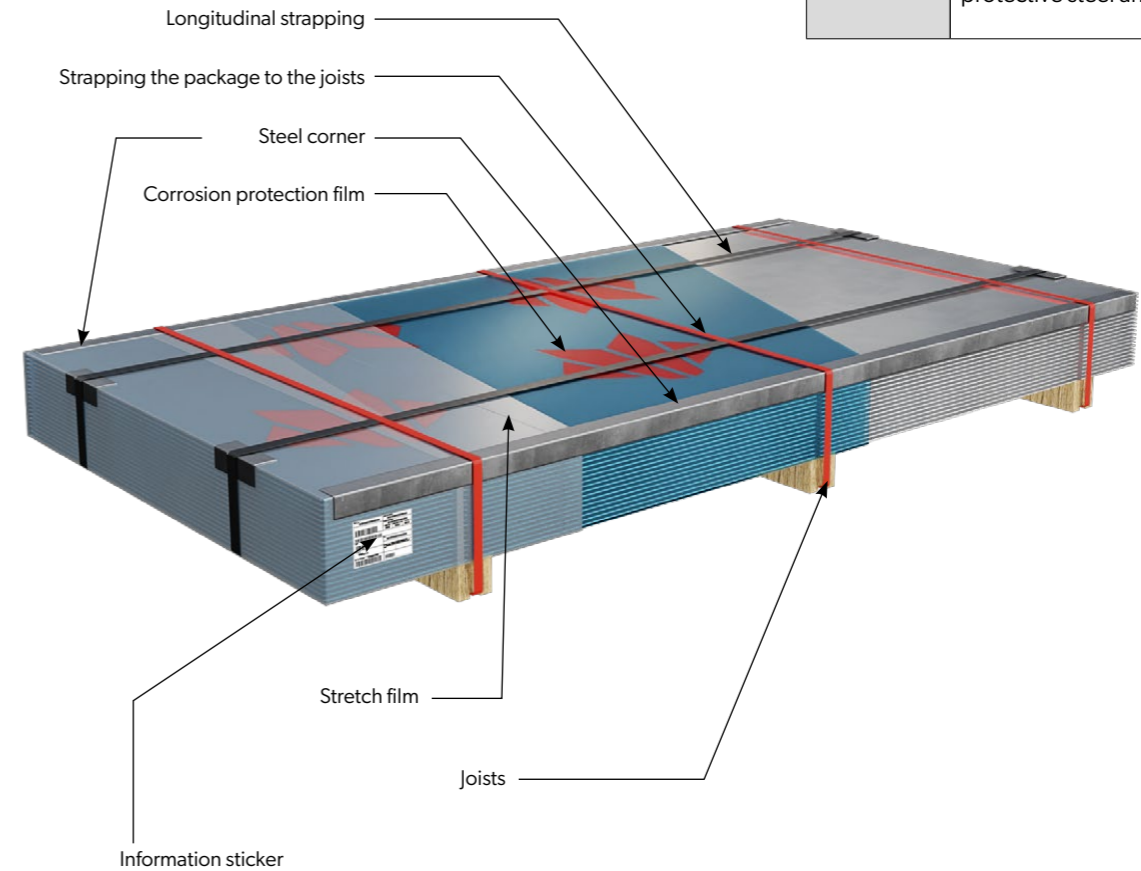
Code:	<b>1B1BA</b>
Description:	Bundle of sheets on joists tied together with transverse and longitudinal straps with protective steel angles.






STANDARD PACKAGING



Code:	<b>1D1BA</b>
Description:	Bundle of sheets on joists protected by stretch film. Fastened with transverse and longitudinal straps, with protective steel angles.

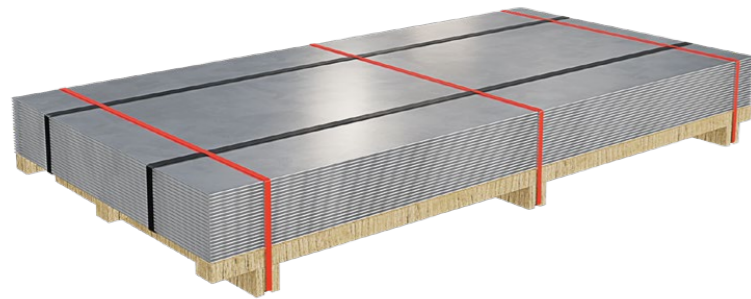
Code:	<b>1F1BA</b>
Description:	Package of sheets on joists protected with stretch film and anti-corrosion film. Fastened with transverse and longitudinal straps, with protective steel angles.



Recipient: <b>XXXXXXXXXXXXXX</b>	Delivery address: <b>XXXXXXXXXXXXXX</b>					
 Adres dostawcy: <b>XXXXXXXXXXXXXX</b>	Adres dostawcy: <b>XXXXXXXXXXXXXX</b>					
	<table border="1"> <tr> <th>QUANTITY (KG)</th> <th>GROSS WEIGHT (KG)</th> <th>NUMBER</th> </tr> <tr> <td><b>XXX</b></td> <td><b>XXX</b></td> <td><b>XXX</b></td> </tr> </table>	QUANTITY (KG)	GROSS WEIGHT (KG)	NUMBER	<b>XXX</b>	<b>XXX</b>
QUANTITY (KG)	GROSS WEIGHT (KG)	NUMBER				
<b>XXX</b>	<b>XXX</b>	<b>XXX</b>				
 QUANTITY 	Description <b>XXXXXXXXXXXXXX</b>					
Supplier: <b>VSS s.r.o.</b>	Product specifications: XXXXXXXXXXXXXXXXXXXXXXXX XXXXXXXXXXXXXXXXXXXXXXXX Date:					
Identification No.: <b>123456789</b> 						

**PACKAGING CODE**

# Sheets and forms - packs on pallet

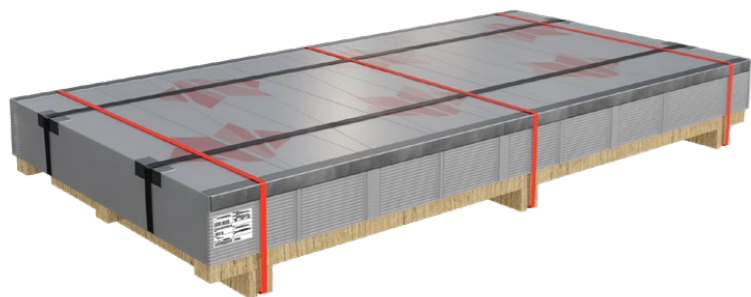


Code:	<b>1A1DA</b>
Description:	Bundle of sheets on a pallet bound together with transverse and longitudinal straps.



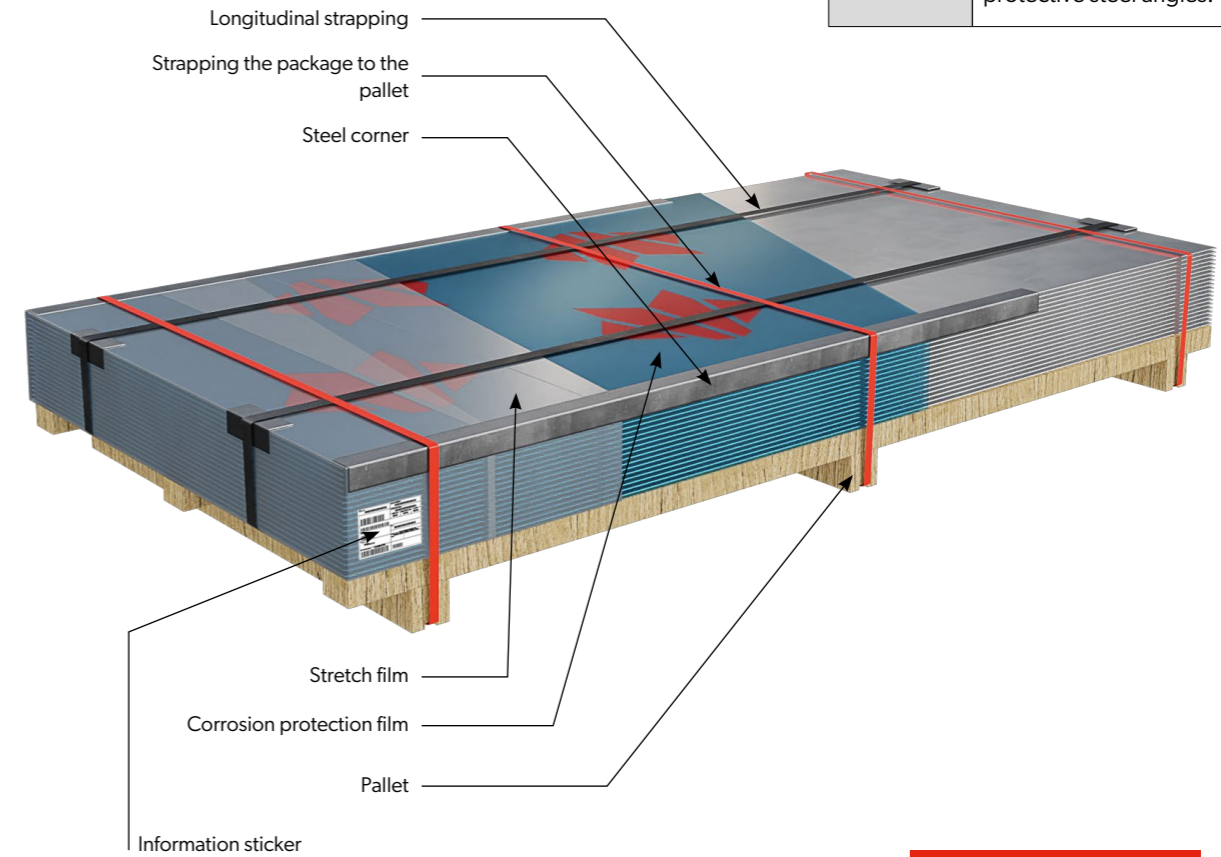
Code:	<b>1B1DA</b>
Description:	Bundle of sheets on a pallet bound together with transverse and longitudinal strips, with protective steel angles.






STANDARD PACKAGING



Code:	<b>1D1DA</b>
Description:	Bundle of sheets on a pallet protected by stretch film. Fastened with transverse and longitudinal straps, with protective steel angles.

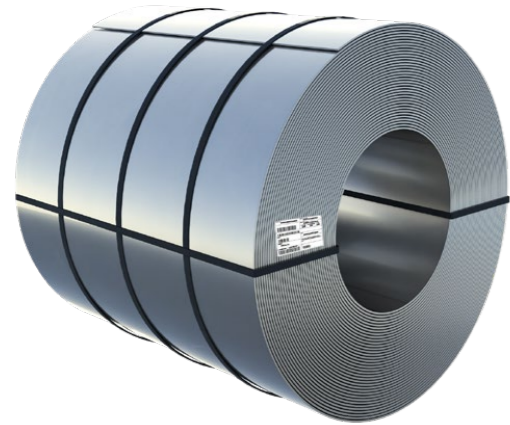
Code:	<b>1F1DA</b>
Description:	Bundle of sheets on a pallet protected by stretch film and anti-corrosion film. Fastened with transverse and longitudinal straps, with protective steel angles.



Recipient: <b>XXXXXXXXXXXXXX</b>	Delivery address: <b>XXXXXXXXXXXXXX</b>					
 Adres dostawcy: <b>XXXXXXXXXXXXXX</b>	Adres dostawcy: <b>XXXXXXXXXXXXXX</b>					
	<table border="1"> <tr> <th>QUANTITY (KG)</th> <th>GROSS WEIGHT (KG)</th> <th>NUMBER</th> </tr> <tr> <td><b>XXX</b></td> <td><b>XXX</b></td> <td><b>XXX</b></td> </tr> </table>	QUANTITY (KG)	GROSS WEIGHT (KG)	NUMBER	<b>XXX</b>	<b>XXX</b>
QUANTITY (KG)	GROSS WEIGHT (KG)	NUMBER				
<b>XXX</b>	<b>XXX</b>	<b>XXX</b>				
 QUANTITY 	Description <b>XXXXXXXXXXXXXX</b>					
Supplier: <b>VSS s.r.o.</b>	Product specifications: XXXXXXXXXXXXXXXXXXXXXXXX XXXXXXXXXXXXXXXXXXXXXXXX Date:					
Identification No.: <b>123456789</b> 						

**PACKAGING CODE**

# Horizontal strips



Code:	<b>2A1IA</b>
Description:	Strap arranged in a horizontal axis and fastened with straps around the circumference and radially.*



Code:	<b>2A1JA</b>
Description:	Strap placed horizontally on a pallet and fastened with straps around the circumference and radially.*

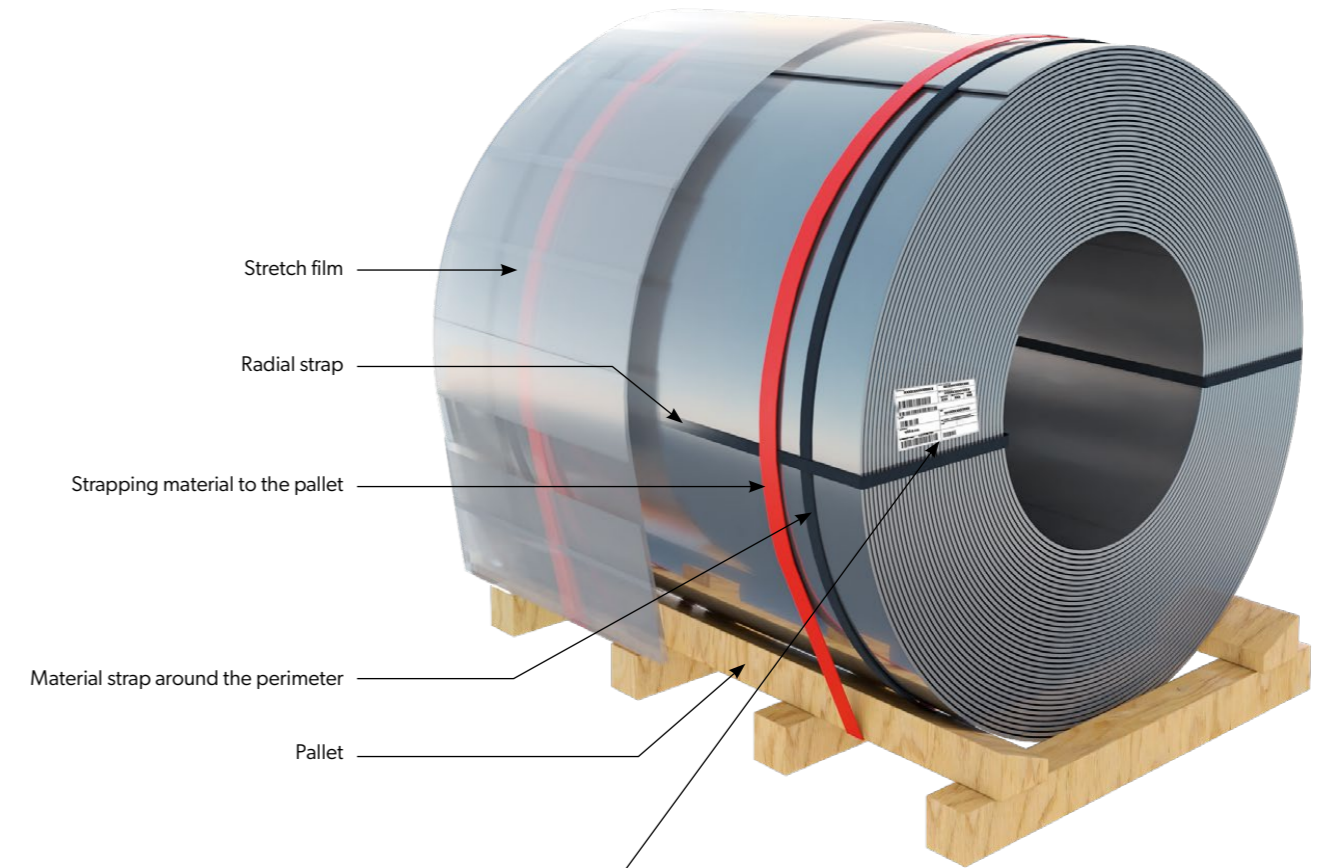
## STANDARD PACKAGING





Code:	<b>2I1JA</b>
Description:	Strap placed horizontally on a pallet and fastened with straps around the circumference and radially.* Protected by stretch film.



\* with an external diameter ≤ 850 mm, we use one radial fastening strap with an outer diameter > 850 mm, we use two radial straps.

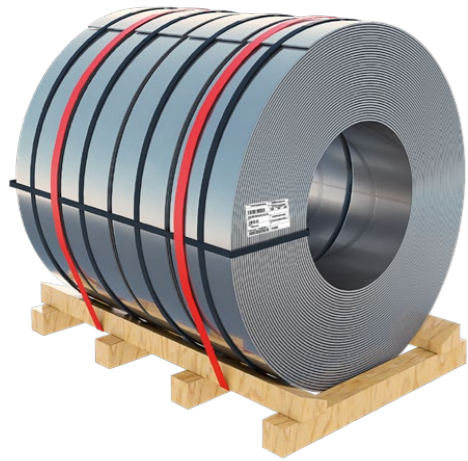


Information sticker

Recipient: <b>XXXXXXXXXXXXXX</b>	Delivery address: <b>XXXXXXXXXXXXXX</b>
 QUANTITY 	Adres dostawy: <b>XXXXXXXXXXXXXX</b>
	QUANTITY (KG)   GROSS WEIGHT (KG)   NUMBER <b>XXX      XXX      XXX</b>
Description <b>XXXXXXXXXXXXXX</b>	
Supplier: <b>VSS s.r.o.</b>	Product specifications: XXXXXXXXXXXXXXXXXXXXXXXXXXXX XX
Identification No.: <b>123456789</b>	Date:

**PACKAGING CODE**

# Horizontal strips



Code:	<b>3A1JA</b>
Description:	Straps arranged horizontally on a pallet and fastened with straps around the circumference and radially.

## STANDARD PACKAGING



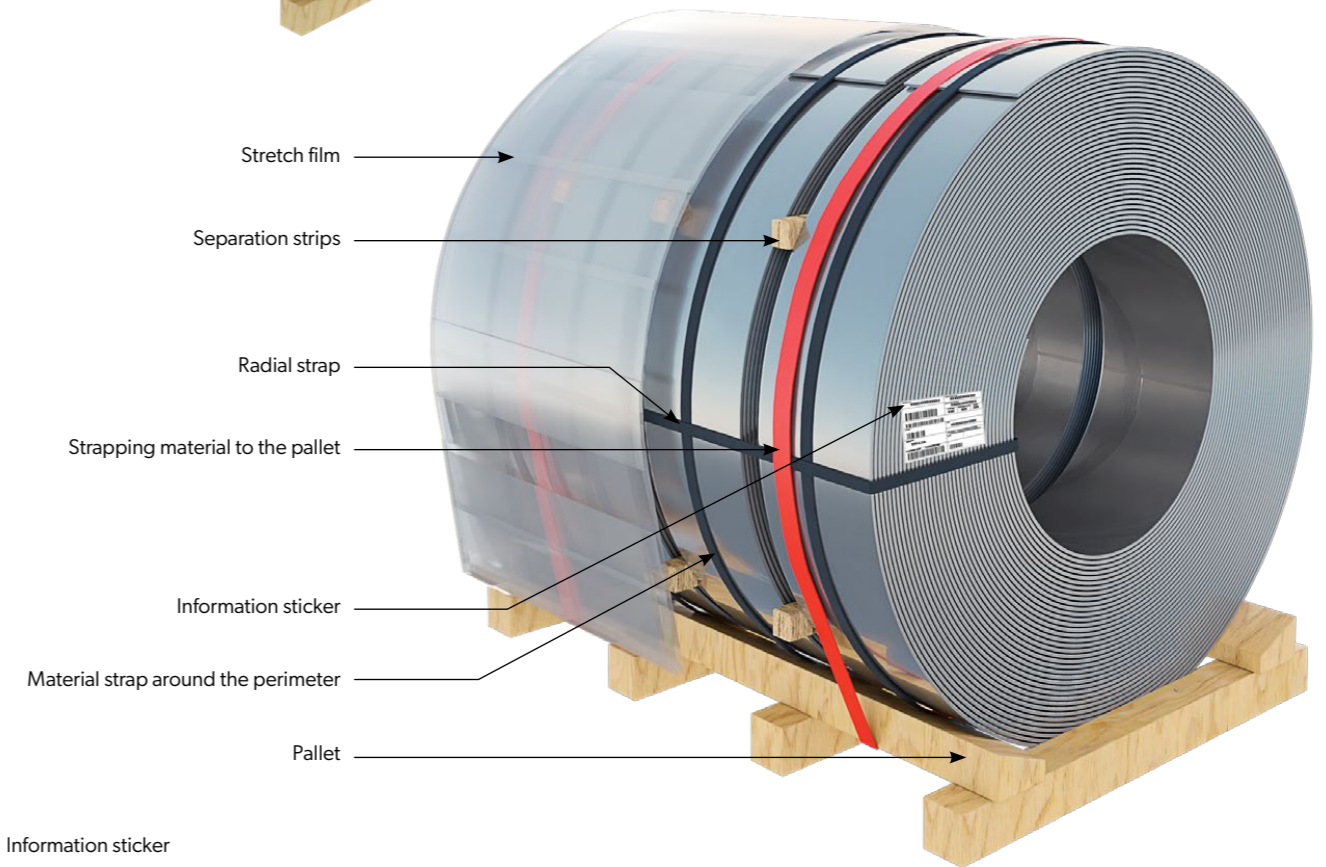
Code:	<b>3I1JA</b>
Description:	Straps arranged horizontally on a pallet and fastened with straps around the circumference and radially. Protected by stretch film.






Code:	<b>3A1JI</b>
Description:	Strap laid horizontally on a pallet with straps around the circumference and radially. Separated by separation strips.



Code:	<b>3I1JI</b>
Description:	Strap laid horizontally on a pallet with straps around the circumference and radially. Separated by separation strips. Protected by stretch film.



Information sticker

Recipient: <b>XXXXXXXXXXXXXX</b>	Delivery address: <b>XXXXXXXXXXXXXX</b>		
 QUANTITY (KG)    GROSS WEIGHT (KG)    NUMBER <b>XXX                    XXX                    XXX</b>	Adres dostawcy: <b>XXXXXXXXXXXXXX</b>		
	Description <b>XXXXXXXXXXXXXX</b>		
Supplier: <b>VSS s.r.o.</b>	Product specifications: XXXXXXXXXXXXXXXXXXXXXXXX XXXXXXXXXXXXXXXXXXXXXXXXXXXXXXXXXXXX		
Identification No.: <b>123456789</b>	Date:		
			

**PACKAGING CODE**

# Vertical strips on joists



Code:	<b>3A1KA</b>
Description:	Strap in vertical orientation on the joists tied with strap around the perimeter and radial straps.

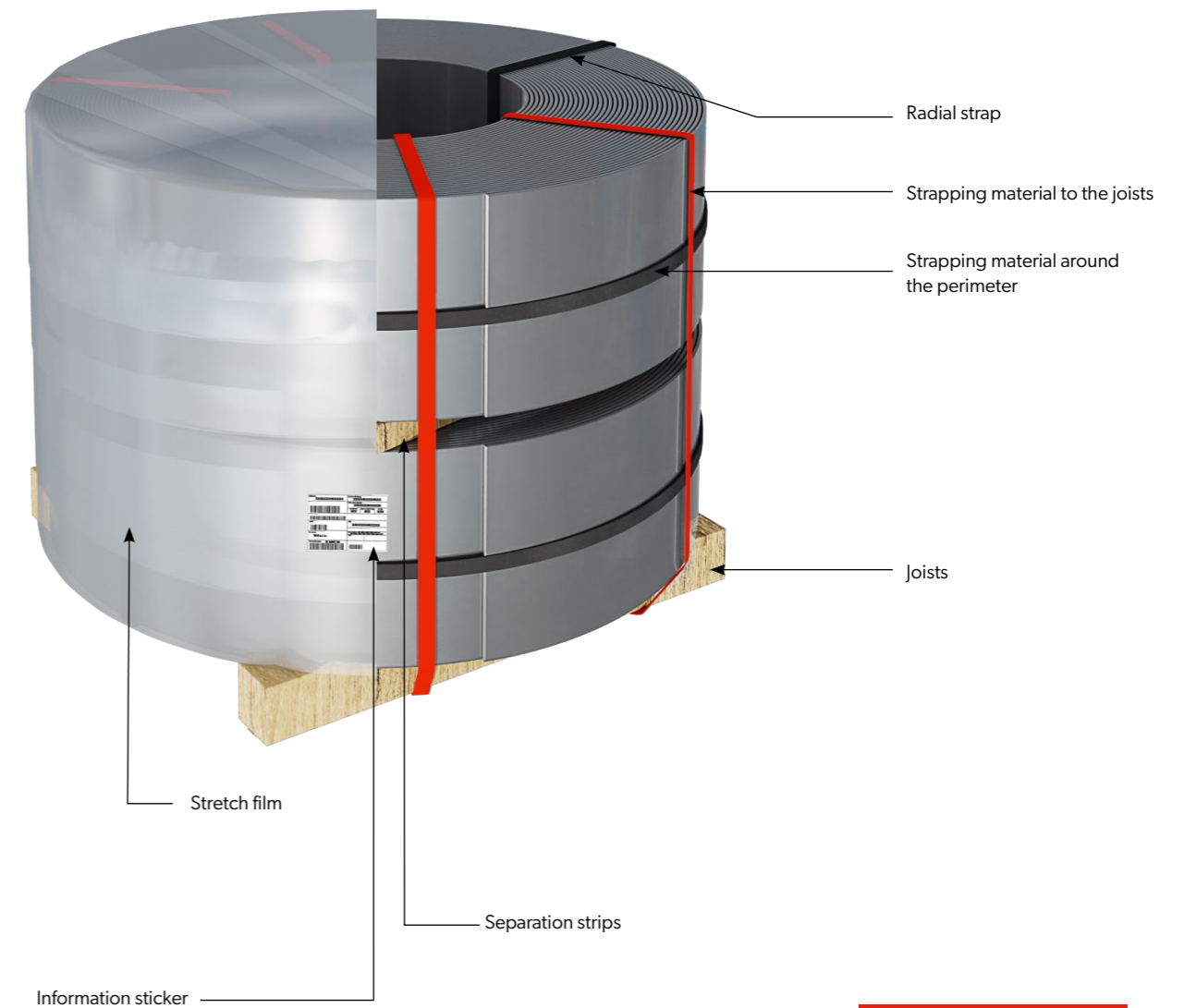






Code:	<b>3A1KI</b>
Description:	Vertical orientation strips on joists strapped at the perimeter and radial strips separated by separation strips.

## STANDARD PACKAGING



Code:	<b>3I1KI</b>
Description:	Vertical orientation strips on joists strapped at the perimeter and radial strips separated by separation strips. Protected by stretch film.



Recipient: <b>XXXXXXXXXXXXXX</b>	Delivery address: <b>XXXXXXXXXXXXXX</b>
 QUANTITY 	Adres dostawcy: <b>XXXXXXXXXXXXXX</b>
	QUANTITY (KG)    GROSS WEIGHT (KG)    NUMBER <b>XXX</b> <b>XXX</b> <b>XXX</b>
Description <b>XXXXXXXXXXXXXX</b>	
Supplier: <b>VSS s.r.o.</b>	Product specifications: XXXXXXXXXXXXXXXXXXXXXXXX XX
Identification No.: <b>123456789</b>	Date:
	

**PACKAGING CODE**

# Straps vertically stacked on a pallet



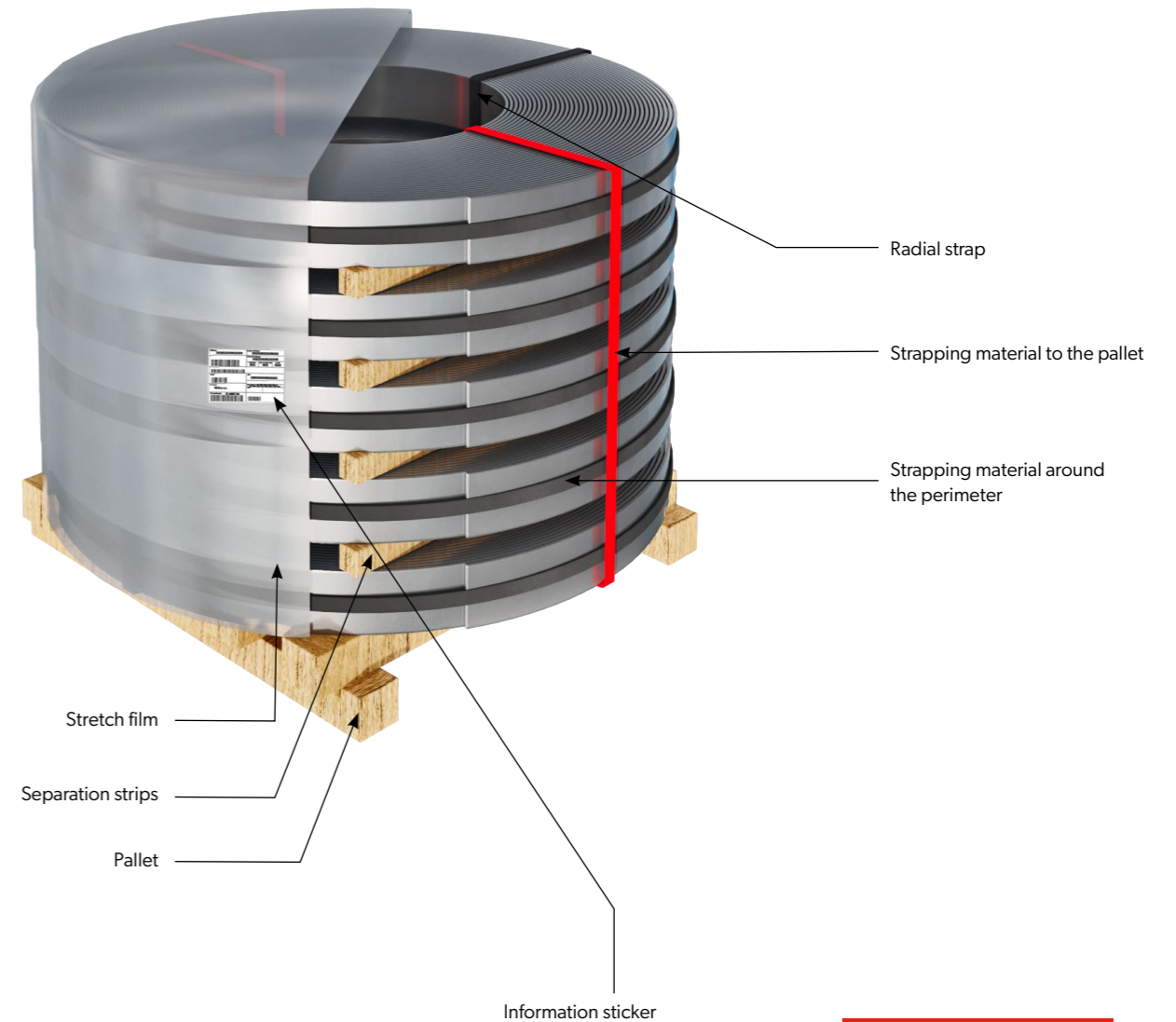
Code:	<b>2A1LA</b>
Description:	Strap in vertical orientation on a pallet bound with strap around the perimeter and radial straps.



Code:	<b>3A1LI</b>
Description:	Straps in vertical orientation on a pallet bound together with circumferential straps and radial straps with wooden separation strips.

STANDARD PACKAGING

Code:	<b>3I1LI</b>
Description:	Straps in vertical orientation on a pallet bound together with circumferential straps and radial straps with wooden separation strips. Protected by stretch film.



Recipient: <b>XXXXXXXXXXXXXX</b>	Delivery address: <b>XXXXXXXXXXXXXX</b>					
	Adres dostawcy: <b>XXXXXXXXXXXXXX</b>					
	<table border="1"> <tr> <td>QUANTITY (KG)</td> <td>GROSS WEIGHT (KG)</td> <td>NUMBER</td> </tr> <tr> <td><b>XXX</b></td> <td><b>XXX</b></td> <td><b>XXX</b></td> </tr> </table>	QUANTITY (KG)	GROSS WEIGHT (KG)	NUMBER	<b>XXX</b>	<b>XXX</b>
QUANTITY (KG)	GROSS WEIGHT (KG)	NUMBER				
<b>XXX</b>	<b>XXX</b>	<b>XXX</b>				
	<b>XXXXXXXXXXXXXX</b>					
Supplier: <b>VSS s.r.o.</b>	Description: <b>XXXXXXXXXXXXXX</b> Product specifications: XXXXXXXXXXXXXXXXXXXXXXXXXX XX Date:					
Identification No.: <b>123456789</b>						

**PACKAGING CODE**



# Packing codes - key

X<sub>1</sub> X<sub>2</sub> X<sub>3</sub> X<sub>4</sub> X<sub>5</sub>

## 4.1.1 X1 - Product type

- 1 - Bundle of sheets
- 2 - Strap packed individually
- 3 - Strap packed as a set
- 0 - Special packaging - as agreed by the customer

## 4.1.2 X2 - Packing method

- 1XXXX - For sheets
- A - unpacked, strapped with binding strap
  - B - secured with steel angles, strapped with binding strap
  - C - secured with strong LLDPE film, binding strap
  - D - protected with LLDPE heavy duty film with steel angles, bound with binding strap
  - E - protected with LLDPE heavy duty film with VpCl inhibitor, bound with binding strap
  - F - protected with LLDPE heavy duty film with VpCl inhibitor, bound with steel angles, bound with binding strap
  - Z - special design - packaging according to customer agreement

- 2XXXX - For coils or straps
- A - unwrapped, strapped with binding strap
  - I - protected with strong LLDPE film, strapped with binding strap
  - K - protected with strong LLDPE film with VpCl inhibitor strapped with binding strap
  - Z - special packing - according to customer's agreement

## 4.1.3 X3 - Binding strap type

- 1 - sealed with coated steel binding strap
- 2 - sealed with PET strap
- 0 - as agreed with the customer

## 4.1.4 X4 - Method of storage

- 1XXXX - For sheets
- A - laid loosely on wooden beams, the arrangement of the beams depends on the length of the sheets and the method of unloading)
  - B - laid and stacked on wooden beams, the arrangement of the beams depends on the length of the sheets and the method of unloading
  - C - stacked on wooden cross and longitudinal beams, the arrangement of the beams depending on the length of the sheets and the method of unloading,
  - D - placed on a standard pallet
  - Z - special packaging, placed on a pallet with dimensions agreed with the customer

- 2XXXX - for coils and strips
- I - non-palletised packing - mogul packing)
  - J - eye to side packing on pallet
  - K - eye to sky on beams with straps
  - L - eye to sky packaging on pallets
  - Z - special wrapping - according to customer's requirements

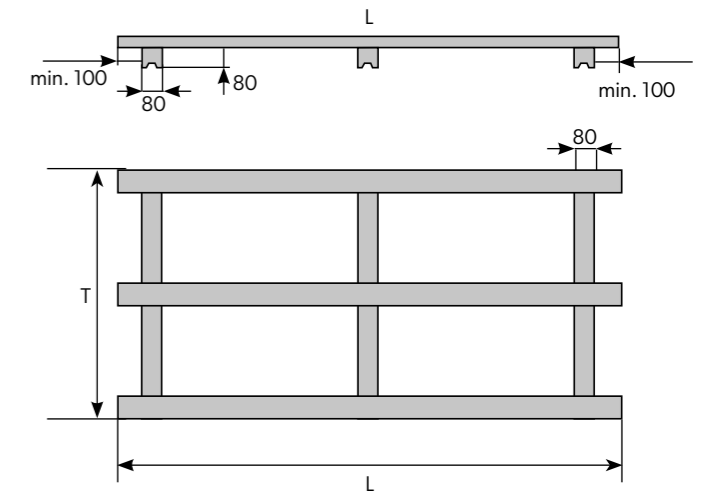
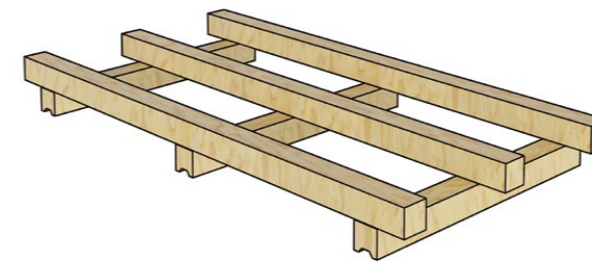
## 4.1.5 X5 - Design type

- 1XXXX - For sheets
- A - without specification of type of construction for forklift unloading
  - Z - special arrangement - type of construction as agreed with the customer

- 2XXXX - For coils or straps
- A - without specification of type of construction
  - I - single coils or strap coils separated by dividers
  - Z - special arrangement - type of construction as agreed with the customer

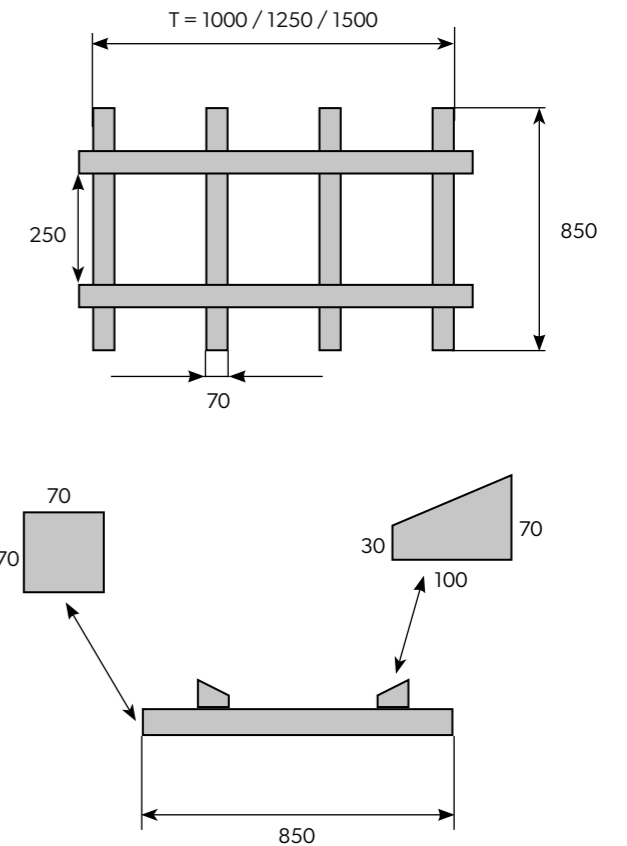
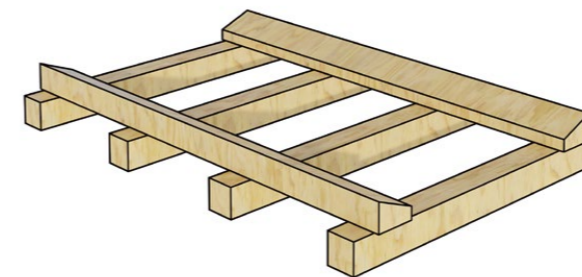
# Pallets

## PALLETS FOR SHEETS

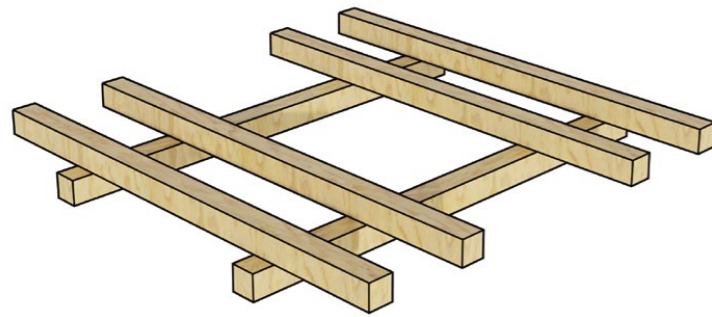


Pallet dimensions (ranges):  
 T = 400 ÷ 1620 mm (for format widths 200 ÷ 1650 mm)  
 L = 400 ÷ 2970 mm (for format lengths 220 ÷ 3000 mm) - single packet  
 L = 400 ÷ 5970 mm (for format lengths 220 ÷ 6000 mm) - double packet

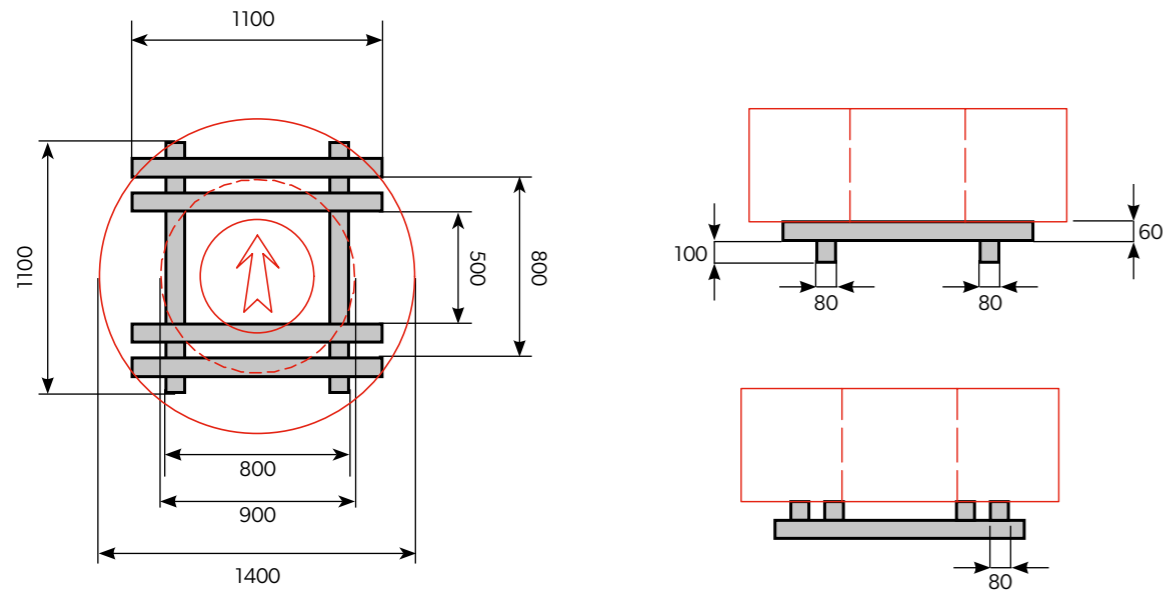
## PALLET FOR COILS



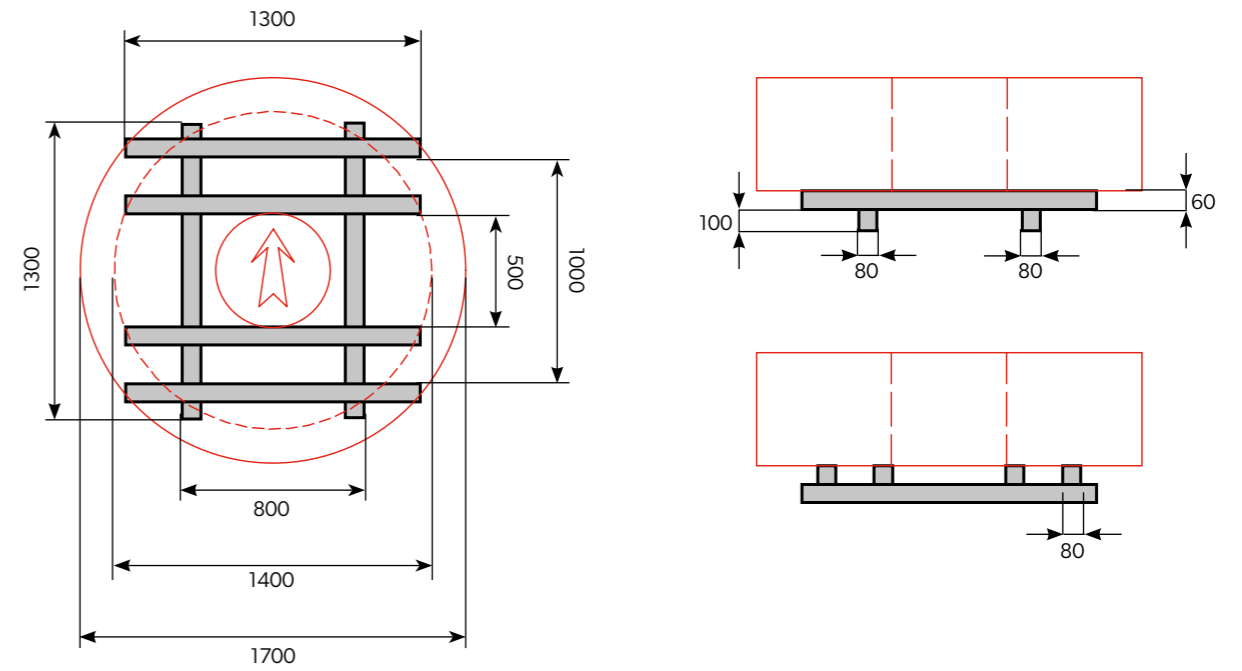
**PALLETS FOR STRAPS**



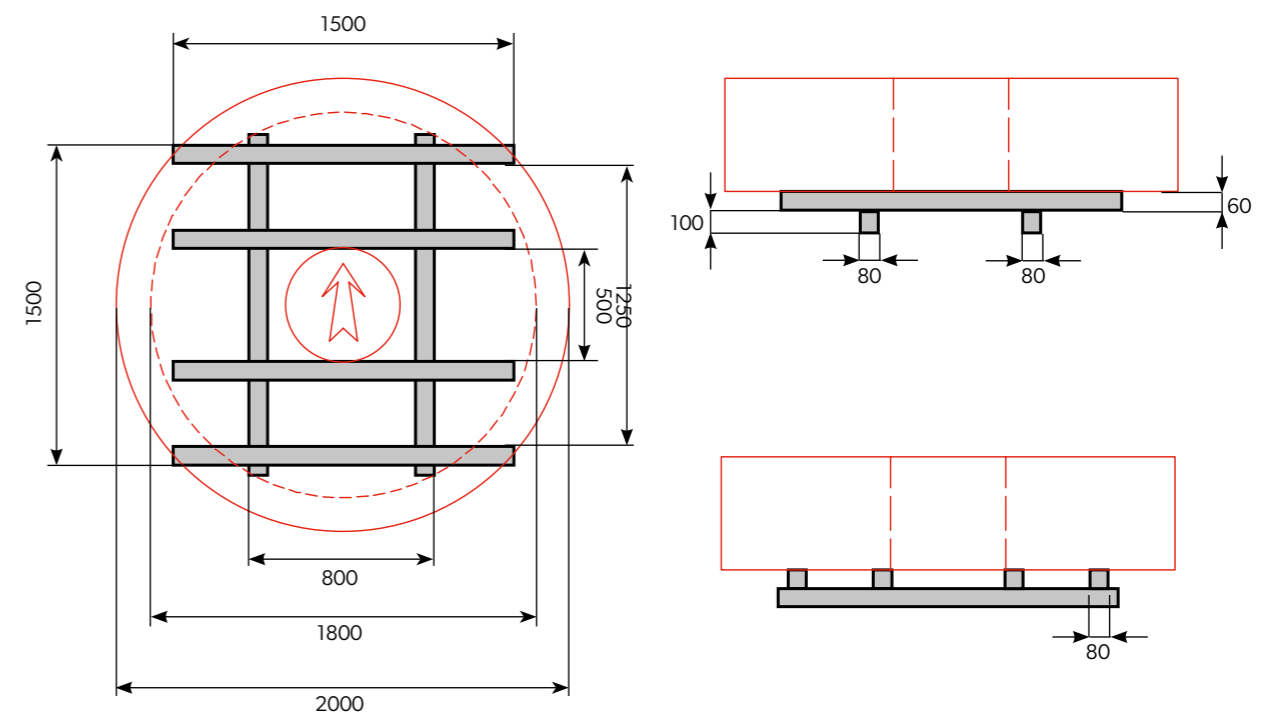
**Pallets for straps with a slot diameter of 900 mm to 1400 mm.**



**Pallets for straps with a slot diameter of 1400 mm to 1700 mm.**



**Pallets for straps with a slot diameter of 1700 mm to 2000 mm.**



# VCI film with LDPE inhibitor

Flat sheets can be protected with VCI film with LDPE inhibitor. This is an anti-corrosion film dedicated to protecting materials exposed to corrosion or moisture during transport and storage. The film's durability is:

- antistatic properties: 9 months
- VCI inhibitor: 12 months provided that storage conditions are observed.

# Contact us



**VSS s.r.o.**  
Kmetova 26,  
040 01 Kosice  
  
**www.vss.sk**

# Security films (coated sheets)

In order to protect the sheet metal on request, it is coated with a protective film. As a standard, we use a film of an individually selected composition as a result of tests for the respective sheet metal coating: the type and thickness of the adhesive layer and the film were determined in such a way as to ensure adequate adhesion and not to damage the coating during removal. We offer films with various parameters which can be individually selected, taking into account:



### Adhesives

- acrylic, water - ecological, water washable,
- acrylic, solvent - not soluble in water, used for matt coatings
- rubber, solvent - not soluble in water, used for polyester coatings.



### Light transmission

- opaque and transparent films.



### UV resistance

- from 1 to 12 months.



### Condensation of water vapour

- anti-condensation coating.



### Film thickness

- 35-100µm.

### Foil type

- MAT/GLOSS.



### Application

- universal films, dedicated to the type of coating and special applications, such as laser cutting (Fiber).

- Sales representatives

- Technical consultancy



All numerical values and physicochemical characteristics of the products given in the catalogue are indicative and illustrative. The company does not assume any responsibility for any errors or mistakes in editing and printing as well as reserves the right to make changes to product specifications.



This catalogue is an invitation to make an offer as understood by article 14 point 2 of the United Nations Convention on Contracts for the International Sale of Goods. Copyright © 2024 BP2. All rights reserved.



Modular roofing tiles  
**MODULAR SERIES**



Compact roofing tiles  
**COMPACT SERIES**



Steel roofing tiles  
**CLASSIC SERIES**



Retro roof tiles  
**RETRO SERIES**



Roof panels  
**PANEL SERIES**



INTEGRATED  
**PV PANELS**



Steel roof gutter system  
**INGURI**



**TRAPEZOIDAL**  
SHEETS



**FLAT METAL**  
SHEETS



**FLASHINGS**



**ACCESORIES**



**Roof Sandwich**  
PANELS



**Wall Sandwich**  
PANELS



Facade cladding  
**SKRIN, LINEA, SINUS**



Wall cassette &  
**PROSYSTEM**



Uncoiling and slitting  
**SERVICES**



Flat sheets and cutting  
**SERVICES**



**PERFORATION**  
of sheets

